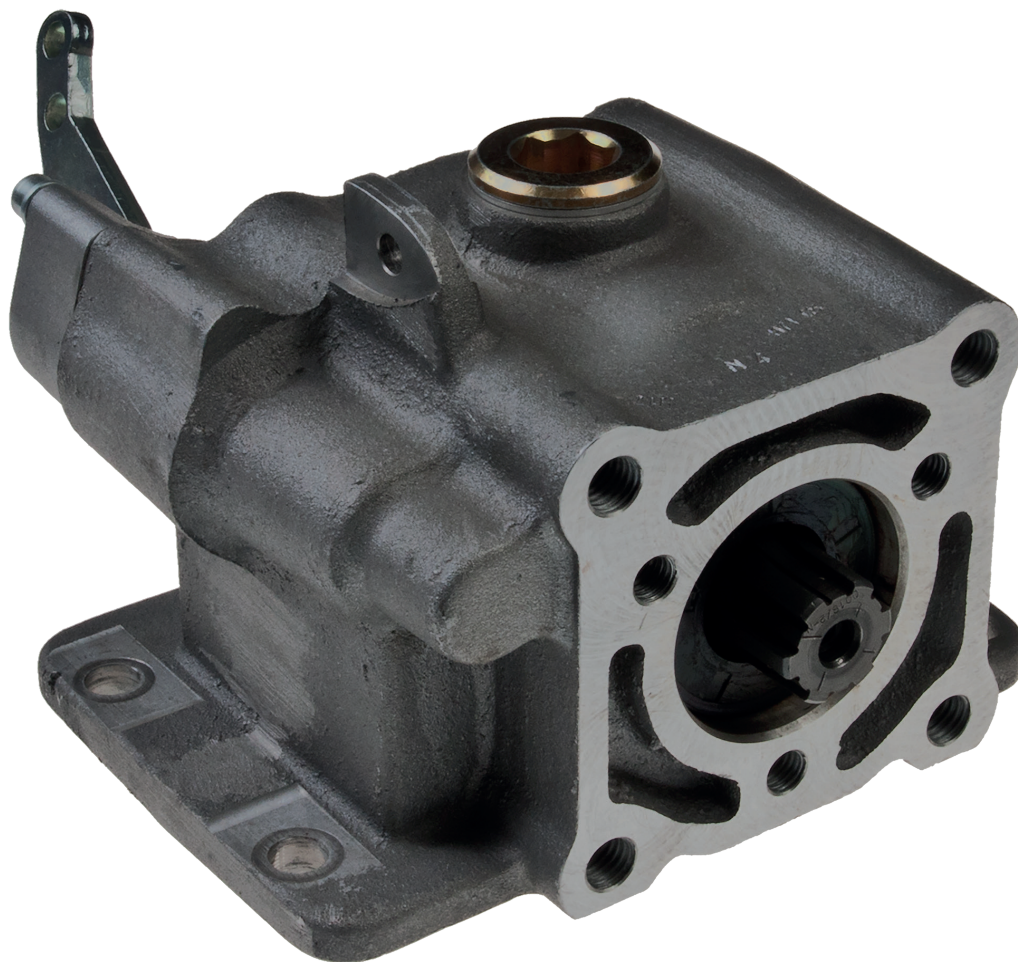


Nebenabtriebe - Mechanische Ansteuerung

Prises de force - Commande mécanique



1023 - PTO LAT. L. D. IVECO 2822 (270062)

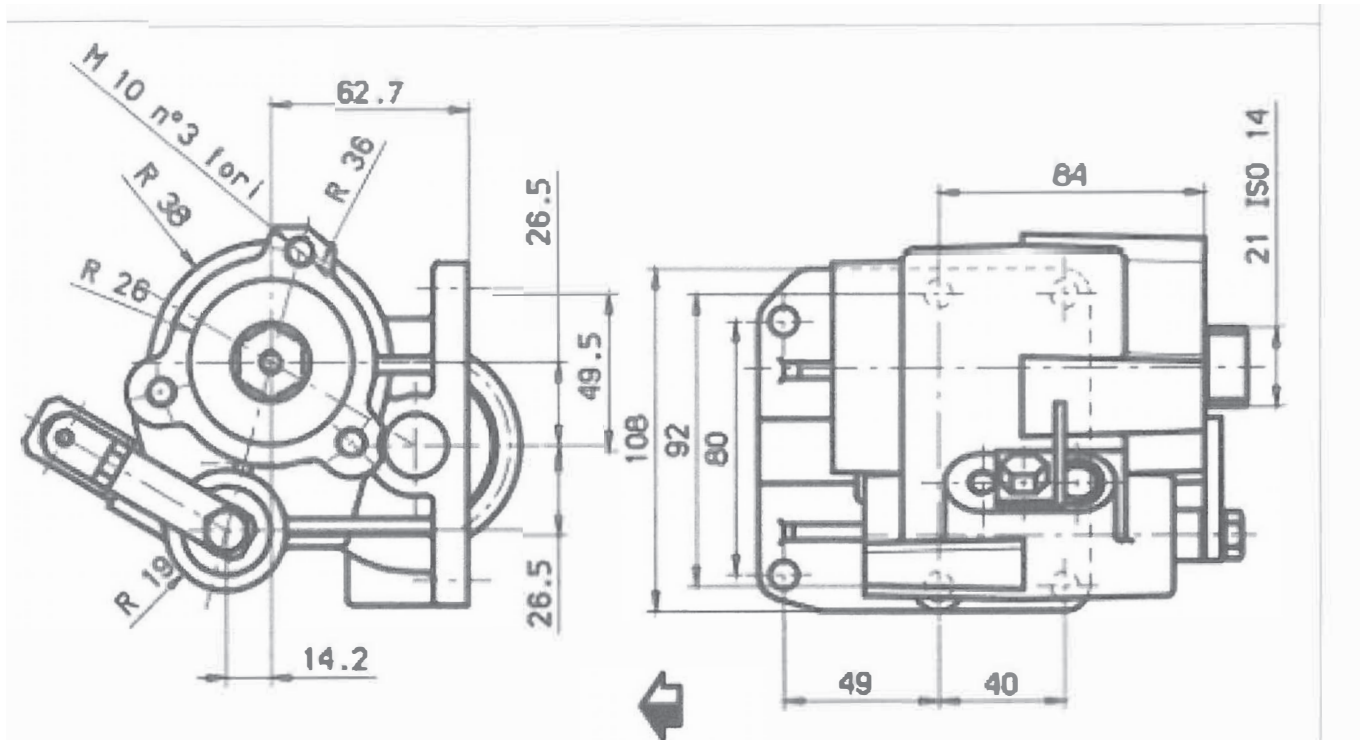
POSSIBLE SOLUTIONS	
08/02/2001	
TEC. SPECIFICATIONS	
	Outlet 1
Torque (NM)	80
Int. Ratio	1,42
Teeth number	17
	Replaces
	Replaced by
CONTROL TYPE HYDROCAR	
<input checked="" type="checkbox"/> Electric	Hydraulic
<input checked="" type="checkbox"/> Mechanic	Fixed engagement
	Pneumatic
	Vacuum system
CONTROL VERSIONS (XX)	
Type	82z1
	Description
E	2
M	1
	#Comando Elettrico KES17
	#Comando Standard
AVAILABLE OPTIONS (Y)	
82z1	Description
	Lubr. Kit
	Switch Kit
	Reinforced
0	#Non presente
1	#Tappo ispezione
4	#Con Kit Interruttore
6	#Con Scatola in Ghisa
	194KSP07000
OUTLET VERSIONS (ZZZ)	
82z1	Description
201	3-HOLE PUMP REAR UNI
501	FL SPICER 1120 REAR SIDE
503	FL SPICER 1300 REAR SIDE
511	FL DIN10 REAR SIDE
512	FL DIN00 REAR SIDE

1023 - PTO LAT. L. D. IVECO 2822 (270062)

Conversion kit	
Pneumatic/Mechanic	#
Mechanic/Pneumatic	
Electric control	
Flange kit	
82z1	Description
197KFL01000	SPICER 1120 21UNI222
197KFL03000	SPICER 1300 21UNI222
197KFL11000	DIN10 21UNI222
197KFL12000	DIN00 21UNI222
Switch kit	
82z1	Description
194KSP07000	# Per 1023 Sipea 7820
Bracket kit	
82z1	Description
190ST102200	# Kit staffa per 1022

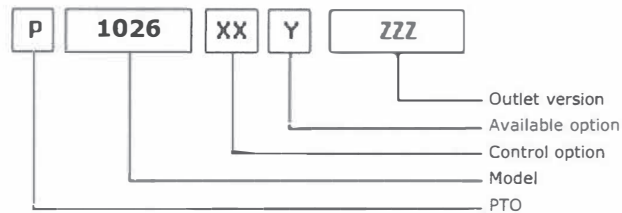
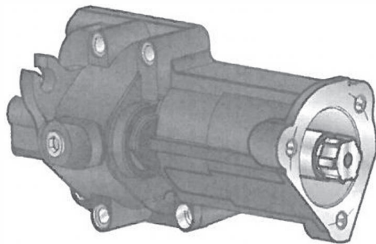
		MATCHINGS			
Brand	Range	Model	1st Gear ratio	Outlet	Application
EATON-FULLER		2105	0,00	Left	I1
IVECO		1.128.022.000	0,00	Left	I1
IVECO		2824.5	0,00	Left	I1
IVECO		2826.5	0,00	Left	I1

1023 - PTO LAT. L. D. IVECO 2822 (270062)



1026 - PTO LAT. L. D. IVECO 2826 (270063)

POSSIBLE SOLUTIONS



TEC. SPECIFICATIONS

	Outlet 1	
Torque (NM)	165	Replaces
Int. Ratio	1,00	Replaced by
Teeth number	17	

CONTROL TYPE HYDROCAR

Electric Hydraulic Mechanic Fixed engagement Pneumatic Vacuum system

CONTROL VERSIONS (XX)

Type	82z1	Description
E	1	#Comando elettrico
E	2	#Comando elettrico MUNCIE
E	3	#Comando elettrico+cop.
M	1	#Ver.Comando non Presente
M	2	#Ver.Comando con KST 1038
M	3	#Ver.Comando con KST 1026N
M	4	#Ver.Comando con KST 1026
P	1	#Comando pneumatico

AVAILABLE OPTIONS (Y)

82z1	Description	Lubr. Kit	Switch Kit	Reinforced
1	#Tappo ispezione			
2	#Con Kit Interruttore		194KSP09000	
3	#Pred.Interrut. Sipea 7820			
5	#Con Kit interrut. MERIT		194KSP19000	

OUTLET VERSIONS (ZZZ)

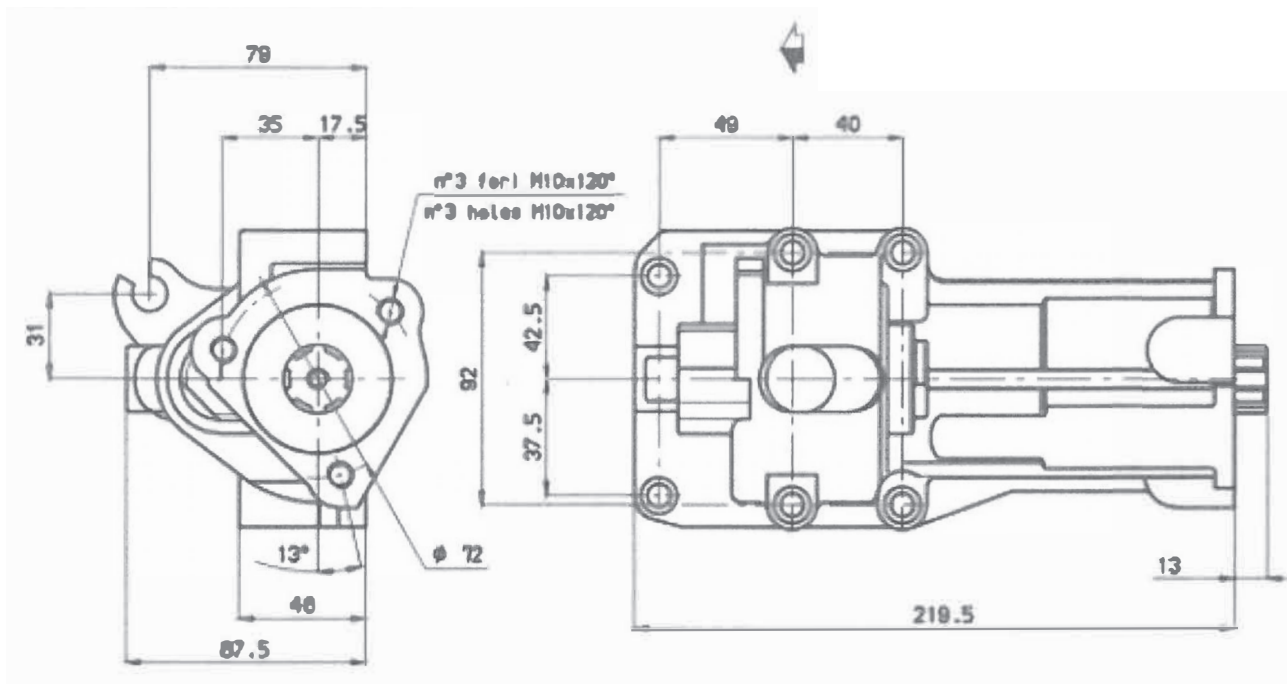
82z1	Description
201	3-HOLE PUMP REAR UNI FL
501	SPICER 1120 REAR SIDE FL
503	SPICER 1300 REAR SIDE FL
511	DIN10 REAR SIDE
512	FL DIN00 REAR SIDE

1026 - PTO LAT. L. D. IVECO 2826 (270063)

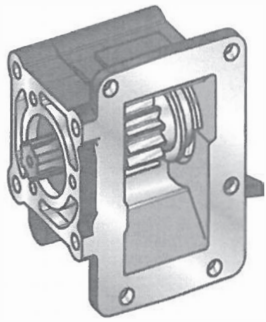
Conversion kit	
tic/Mechanic	#
ic/Pneumatic	
control	
Flange kit	
Description	
01000	SPICER 1120 21UNI222
03000	SPICER 1300 21UNI222
11000	DIN10 21UNI222
12000	DIN00 21UNI222
Switch kit	
Description	
09000	Sipea 7820
19000	#Merit M16x1.5 N.C.
Bracket kit	
Description	
02600	#Vecchio tipo (1026)
026N0	#Per 1026 new line
03900	#Kit vers. con sfera

MATCHINGS					
Brand	Range	Model	1st Gear ratio	Outlet	Application
EATON-FULLER		2105	0,00	Left	I1
IVECO		1.128.022.000	0,00	Left	I1
IVECO		2824.5	0,00	Left	I1
IVECO		2826.5	0,00	Left	I1

1026 - PTO LAT. L. D. IVECO 2826 (270063)



18G3 - PTO LAT. L. D. MITSUBISHI M035S5 (270081)



POSSIBLE SOLUTIONS

P

18G3

XX

Y

ZZZ

Outlet version

Available option

Control option

Model

PTO

TEC. SPECIFICATIONS

	Outlet 1	
Torque (NM)	180	Replaces
Int. Ratio	1,00	Replaced by
Teeth number	15	

CONTROL TYPE HYDROCAR

Electric
 Hydraulic
 Mechanic
 Fixed engagement
 Pneumatic
 Vacuum system

CONTROL VERSIONS (XX)

Type	82z1	Description
E	1	#Comando 12 Volt
E	2	#Comando 24 Volt
E	3	#Comando Solenoide Rinf12V
E	4	#Comando Solenoide Rinf24V
E	5	#Com. El.KES5E 12V PLAST.
E	6	#Com. El.KES5E 24V PLAST.
E	7	#Com. El.KES5E 12V ZAMA
E	8	#Com. El.KES5E 24V ZAMA
E	9	ECO150 12V.
M	2	#Comando per cavo I20
M	3	#Comando per cavo TXZ
P	1	#Comando Pneum.1/8"GAS
H	1	#Comando a depressione

AVAILABLE OPTIONS (Y)

82z1	Description	Lubr. Kit	Switch Kit	Reinforced
1	#Tappo ispezione			
3	#Con Interruttore MERIT		194KSP17000	
4	#Con Interruttore TDS		194KSP28000	

OUTLET VERSIONS (ZZZ)

82z1	Description
201	3-HOLE PUMP REAR UNI
204	Pump drive SE 4-Bolts
501	FL SPICER 1120 REAR SIDE

18G3 - PTO LAT. L. D. MITSUBISHI M035S5 (270081)

OUTLET VERSIONS (ZZZ)

82z1	Description
503	FL SPICER 1300 REAR SIDE
511	FL DIN10 REAR SIDE
512	FL DIN00 REAR SIDE

Conversion kit

Pneumatic/Mechanic	#DIN 5462 (SE) da UNI	606X01K0000
Mechanic/Pneumatic		
Electric control		

Flange kit

82z1	Description
197KFL01000	SPICER 1120 21UNI222
197KFL03000	SPICER 1300 21UNI222
197KFL11000	DIN10 21UNI222
197KFL12000	DIN00 21UNI222

Switch kit

82z1	Description
194KSP09000	Sipea 7820
194KSP17000	DIN 2.5 M16x1.5 N.O.
194KSP28000	#TDS M16x1.5 N.O.

Bracket kit

82z1	Description
190ST0018G0	#Cavo I20 su serie 18
190ST0018T0	#Cavo TXZ su serie 18

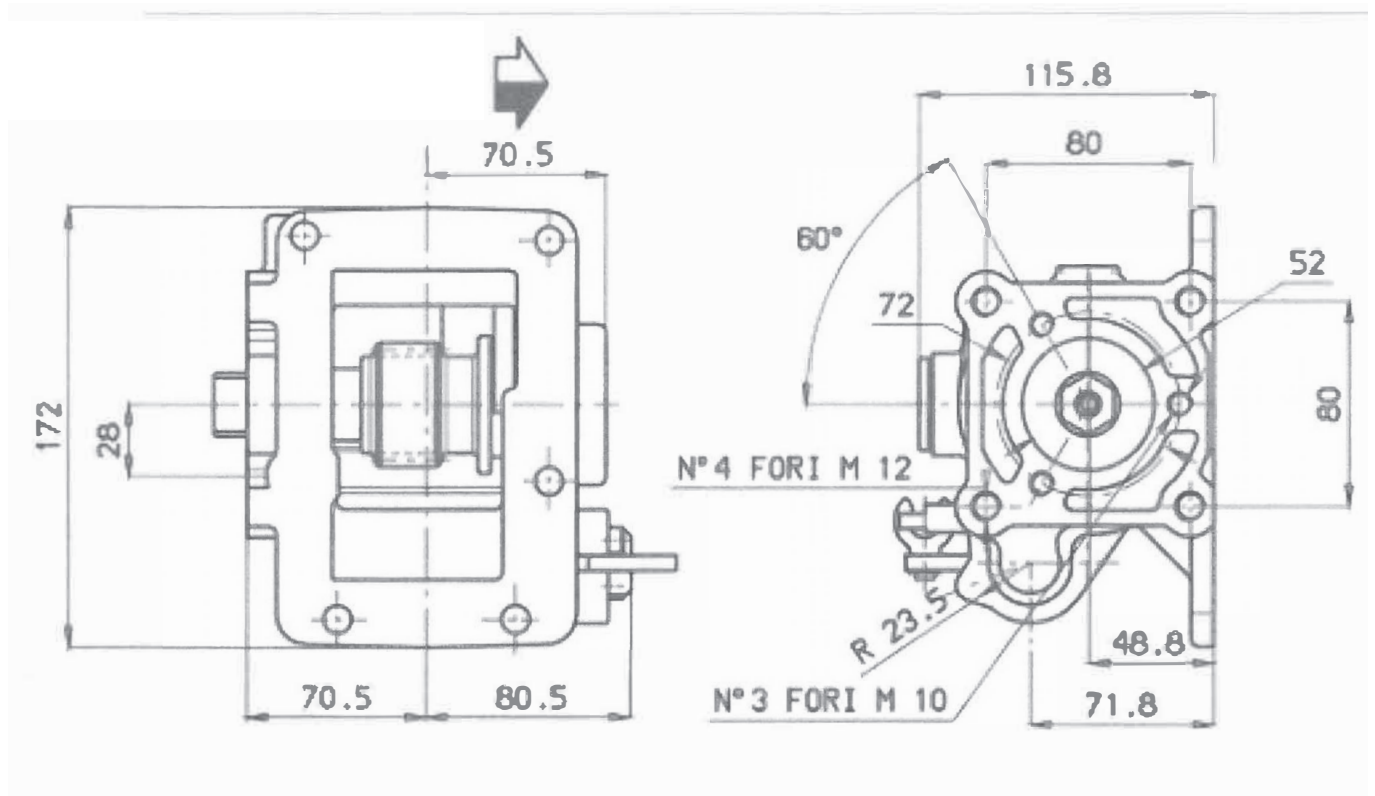
ELECTRIC KITS

82z1	Description
194KE063000	ELECTRIC KIT 12V FOR VACUUM PTO CONTROL
194KE064000	ELECTRIC KIT 24V FOR VACUUM PTO CONTROL

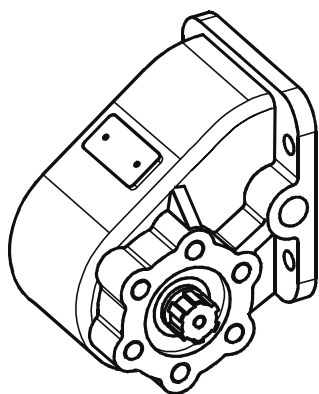
MATCHINGS

Brand	Range	Model	1st Gear ratio	Outlet	Application
MITSUBISHI		M035 S5	5,38	Left	M2
MITSUBISHI		M035 S6	5,52	Left	M2
MITSUBISHI		M036 S5	0,00	Left	M4
MITSUBISHI		M036 S6	0,00	Left	M4

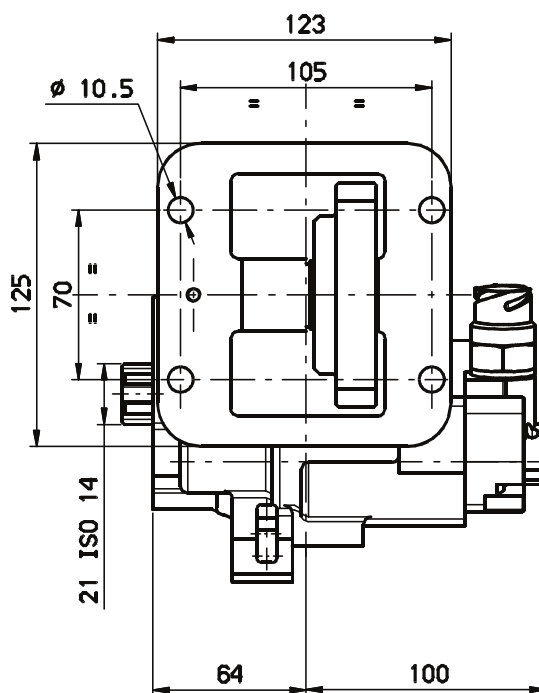
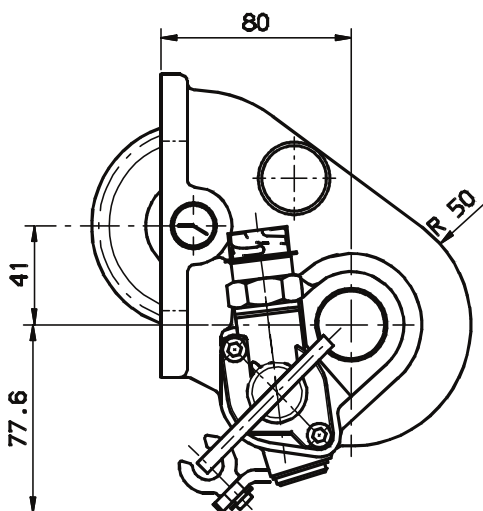
18G3 - PTO LAT. L. D. MITSUBISHI M035S5 (270081)



19N2 - (270085)



Drehmoment (Nm)	150
Inn. Übersetzung	1,261
Zähnenzahl	29
Ersatz für	2383
Ersetzt von	



Schaltbetätigung	<input checked="" type="checkbox"/> Elektrisch	<input checked="" type="checkbox"/> Mechanisch	<input type="checkbox"/> Hydraulisch	<input type="checkbox"/> Nicht schaltbar	<input checked="" type="checkbox"/> Pneum.
Montageseite	Links				
Ausgangswelle	Rückseite				
Gewicht N	51				
Drehrichtung	DX				
Achsenzahl	2				

19N2 - (270085)

TYPSCHLÜSSEL	
P	19N2
XX	Y
ZZZ	
	Abtriebsausführung
	Alternative Varianten
	Betätigungsvariante
	Modell
	Nebenantriebe

BETÄTIGUNGSVARIANTE (XX)		
Typ	Kode	Beschreibung
E	1	Comando El. KES13
E	2	Pred.Cdo con Solen.
E	3	Comando con Solenoide
E	5	Com. El.KES5E 12V PLAST.
E	6	Com. El.KES5E 24V PLAST.
E	7	Com. El.KES5E 12V ZAMA
E	8	Com. El.KES5E 24V ZAMA
M	2	Comando Meccanico per I21
M	3	Comando Meccanico per TXZ
M	4	Comando mecc. diretto
P	1	Comando Pneum. 1/8"GAS

ALTERNATIVE VAR. (Y)				
Kode	Beschreibung	Schmier.satz	Schaltersatz	Verst. Bemerk.
3	Versione con inter. Merit		194KSP17000	<input type="checkbox"/>
4	Versione con inter. TDS		194KSP28000	<input type="checkbox"/>
5	Versione con TDS su fond.		194KSP28000	<input type="checkbox"/>
6	Predisp. per Interruttore			<input type="checkbox"/>
7	Versione con Merit su fon		194KSP17000	<input type="checkbox"/>

ABTRIEB VERSIONEN (ZZZ)	
Kode	Beschreibung
201	POMPA 3 FORI UNI POST.
501	FL SPICER 1120 POST.
503	FL SPICER 1300 POST.
511	FL DIN10 POST.
512	FL DIN00 POST.

UMBAUSATZ	
Umbausatz UNI von 204	Pneumatisch/Mechanisch
Umbausatz UNI von 294	Mechanisch/Pneumatisch
Umbausatz SE von UNI	Elek. Betät.

FLANSCHSATZ	
Kode	Beschreibung
197KFL01000	SPICER 1120 21UNI222
197KFL03000	SPICER 1300 21UNI222
197KFL11000	DIN10 21UNI222
197KFL12000	DIN00 21UNI222

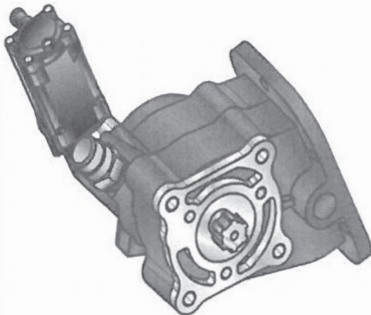
SCHMIERUNGSSATZ	
Kode	Beschreibung

SCHALTERSARZ	
Kode	Beschreibung
194KSP17000	Merit M16x1.5 N.O.
194KSP28000	TDS M16x1.5 N.O.

BUEGEL	
Kode	Beschreibung

20N1 - PTO LAT. L. D. NISSAN M5-35 (270093)

POSSIBLE SOLUTIONS



P	20N1	XX	Y	ZZZ
---	------	----	---	-----

Outlet version
 Available option
 Control option
 Model
 PTO

TEC. SPECIFICATIONS

	Outlet 1	
Torque (NM)	170	Replaces
Int. Ratio	1,40	Replaced by
Teeth number	28	

CONTROL TYPE HYDROCAR

<input checked="" type="checkbox"/> Electric	Hydraulic	<input checked="" type="checkbox"/> Mechanic	Fixed engagement	<input checked="" type="checkbox"/> Pneumatic	Vacuum system
--	-----------	--	------------------	---	---------------

CONTROL VERSIONS (XX)

Type	82z1	Description
E	5	#Com. EI.KES5E 12V PLAST.
E	6	#Com. EI.KES5E 24V PLAST.
E	7	#Com. EI.KES5E 12V ZAMA
E	8	#Com. EI.KES5E 24V ZAMA
E	9	ECO150 12V.
M	2	#Comando Meccanico per I21
M	3	#Comando Meccanico per TXZ
M	4	#Comando Mecc. corsa corta
M	5	#Com. Mecc. corsa corta R
M	6	#Com Mecc. TXZ rovesciato
P	1	#Comando Pneum. 1/8"GAS

AVAILABLE OPTIONS (Y)

82z1	Description	Lubr. Kit	Switch Kit	Reinforced
1	#Tappo ispezione			
3	#Con int. MERIT+cop.protez		194KSP17000	
4	#Con interruttore TDS		194KSP28000	
5	#Con int. MERIT senza cop.		194KSP17000	
6	#Predisp. per interruttore			

OUTLET VERSIONS (ZZZ)

82z1	Description
201	3-HOLE PUMP REAR UNI
204	Pump drive SE 4-Bolts
501	FL SPICER 1120 REAR SIDE

20N1 - PTO LAT. L. D. NISSAN M5-35 (270093)

OUTLET VERSIONS (ZZZ)

82z1	Description
503	FL SPICER 1300 REAR SIDE
511	FL DIN10 REAR SIDE
512	FL DIN00 REAR SIDE

Conversion kit

Pneumatic/Mechanic Mechanic/Pneumatic Electric control	#DIN 5462 (SE) da UNI	606X01K0000
--	-----------------------	-------------

Flange kit

82z1	Description
197KFL01000	SPICER 1120 21UNI222
197KFL03000	SPICER 1300 21UNI222
197KFL11000	DIN10 21UNI222
197KFL12000	DIN00 21UNI222

Switch kit

82z1	Description
194KSP17000	DIN 2.5 M16x1.5 N.O.
194KSP28000	#TDS M16x1.5 N.O.

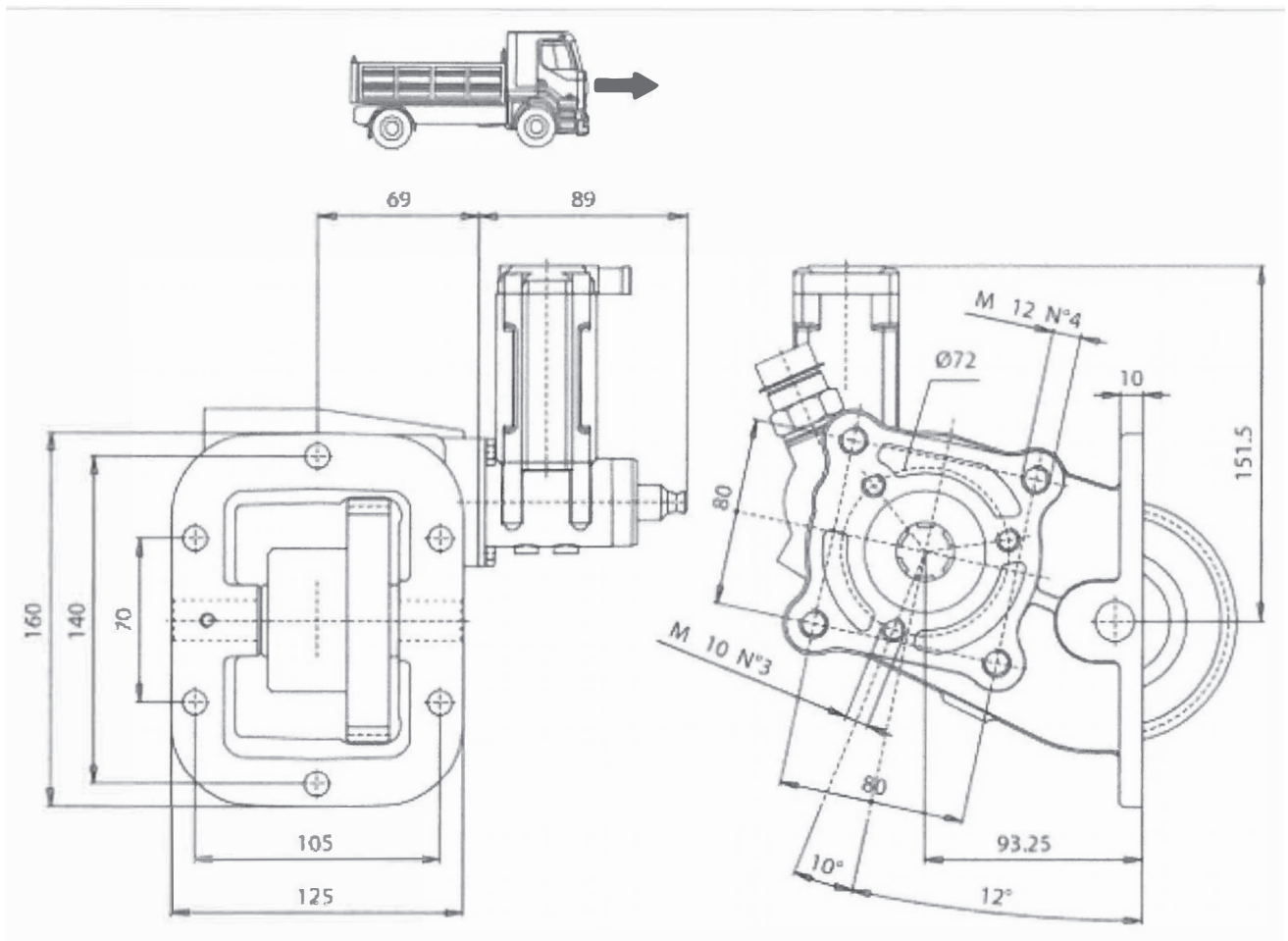
Bracket kit

82z1	Description
190ST0020G1	#Cavo I21 su serie 20
190ST0020T0	Remote control TXZ I20

MATCHINGS

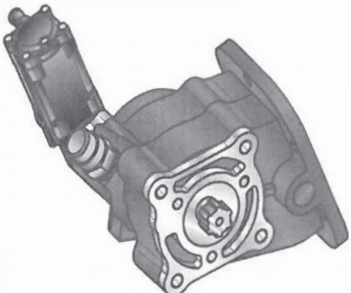
Brand	Range	Model	1st Gear ratio	Outlet	Application
NISSAN		M5-35 A	4,66	Left	Z1

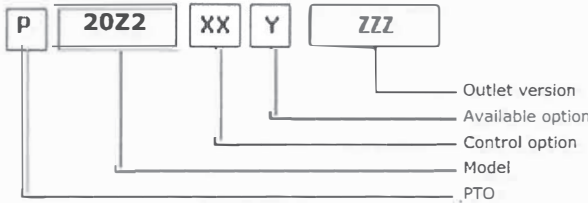
20N1 - PTO LAT. L. D. NISSAN M5-35 (270093)



20Z2 - PTO LAT. L. D. Z.F. S6-300 (270100)

POSSIBLE SOLUTIONS





P — PTO
 20Z2 — Model
 XX — Control option
 Y — Available option
 ZZZ — Outlet version

TEC. SPECIFICATIONS

	Outlet 1		Replaces
Torque (NM)	180		Replaced by
Int. Ratio	1,27		
Teeth number	28		

CONTROL TYPE HYDROCAR

<input checked="" type="checkbox"/> Electric	Hydraulic	<input checked="" type="checkbox"/> Mechanic	Fixed engagement	<input checked="" type="checkbox"/> Pneumatic	Vacuum system
--	-----------	--	------------------	---	---------------

CONTROL VERSIONS (XX)

Type	82z1	Description
E	1	#Comando El. KES 14 (RVI)
E	2	#Comando El. KES 13 IVECO
E	5	#Com. El.KES5E 12V PLAST.
E	6	#Com. El.KES5E 24V PLAST.
E	7	#Com. El.KES5E 12V ZAMA
E	8	#Com. El.KES5E 24V ZAMA
E	9	ECO150 12V.
M	2	#Comando Meccanico per I20
M	3	#Comando Meccanico per TXZ
M	4	#Comando Mecc. corsa corta
M	5	#Com. Mecc. corsa corta R
M	6	#Com. Mecc. TXZ rovesciato
P	1	#Comando Pneum. 1/8" GAS

AVAILABLE OPTIONS (Y)

82z1	Description	Lubr. Kit	Switch Kit	Reinforced
1	#Tappo ispezione			
3	#Con Int. MERIT+cop.protez		194KSP17000	
4	#Con Interruttore TDS		194KSP28000	
5	#Con int. MERIT senza cop.		194KSP17000	
8	#MERIT+cop.prot+alb.z=10		194KSP17000	

OUTLET VERSIONS (ZZZ)

82z1	Description
201	3-HOLE PUMP REAR UNI

20Z2 - PTO LAT. L. D. Z.F. S6-300 (270100)

OUTLET VERSIONS (ZZZ)	
82z1	Description
204	Pump drive SE 4-Bolts
501	FL SPICER 1120 REAR SIDE
503	FL SPICER 1300 REAR SIDE
511	FL DIN10 REAR SIDE
512	FL DIN00 REAR SIDE

Conversion kit		
Pneumatic/Mechanic Mechanic/Pneumatic Electric control	#DIN 5462 (SE) da UNI	606X01K0000

Flange kit	
82z1	Description
197KFL01000	SPICER 1120 21UNI222
197KFL03000	SPICER 1300 21UNI222
197KFL11000	DIN10 21UNI222
197KFL12000	DIN00 21UNI222

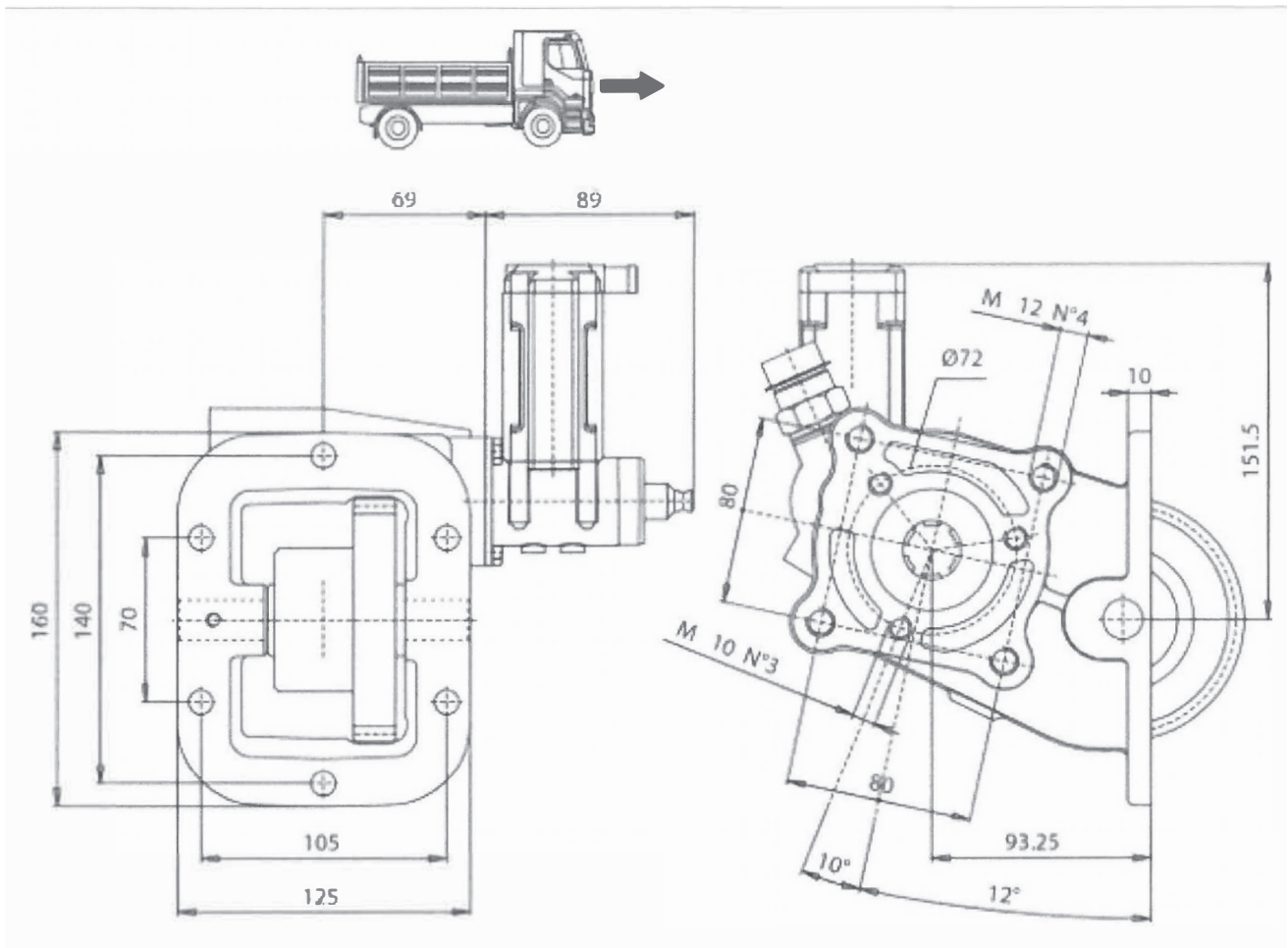
Switch kit	
82z1	Description
194KSP17000	DIN 2.5 M16x1.5 N.O.
194KSP28000	#TDS M16x1.5 N.O.

Bracket kit	
82z1	Description
190ST0020G1	#Cavo I21 su serie 20
190ST0020T0	Remote control TXZ I20

MATCHINGS

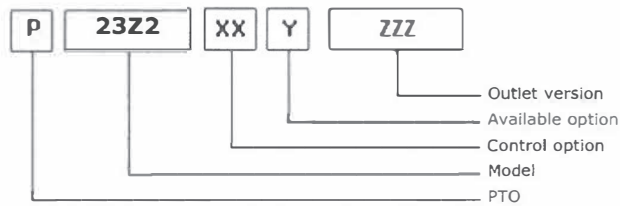
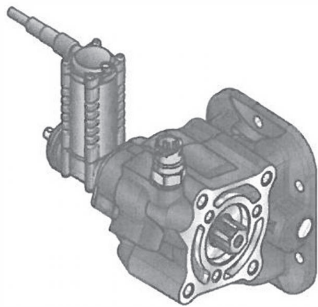
Brand	Range	Model	1st Gear ratio	Outlet	Application
IVECO		2832.6	0,00	Left	Z1
IVECO		2833.6	0,00	Left	Z1
Z.F.		6 S 300	6,70	Left	Z1
Z.F.	ECOLITE	6 AS 300 VD	6,70	Left	Z1

20Z2 - PTO LAT. L. D. Z.F. S6-300 (270100)



23Z2 - PTO LAT. L. D. Z.F. 6S-380 VO (270127)

POSSIBLE SOLUTIONS



TEC. SPECIFICATIONS

	Outlet 1	
Torque (NM)	180	Replaces
Int. Ratio	1,45	Replaced by
Teeth number	32	

CONTROL TYPE HYDROCAR

Electric Hydraulic Mechanic Fixed engagement Pneumatic Vacuum system

CONTROL VERSIONS (XX)

Type	82z1	Description
E	2	#Comando El. KES 13 IVECO
E	5	#Com. El.KES5E 12V PLAST.
E	6	#Com. El.KES5E 24V PLAST.
E	7	#Com. El.KES5E 12V ZAMA
E	8	#Com. El.KES5E 24V ZAMA
E	9	ECO150 12V.
M	3	#Comando Meccanico per TXZ
P	1	#Comando Pneum. 1/8"GAS

AVAILABLE OPTIONS (Y)

82z1	Description	Lubr. Kit	Switch Kit	Reinforced
1	#Tappo ispezione			
2	#MERIT+cop.protez. x Daily 4x4			
3	#Con Int. MERIT+cop.protez		194KSP17000	
4	#Con Interruttore TDS		194KSP28000	
5	#Con Int. MERIT senza cop.		194KSP17000	

OUTLET VERSIONS (ZZZ)

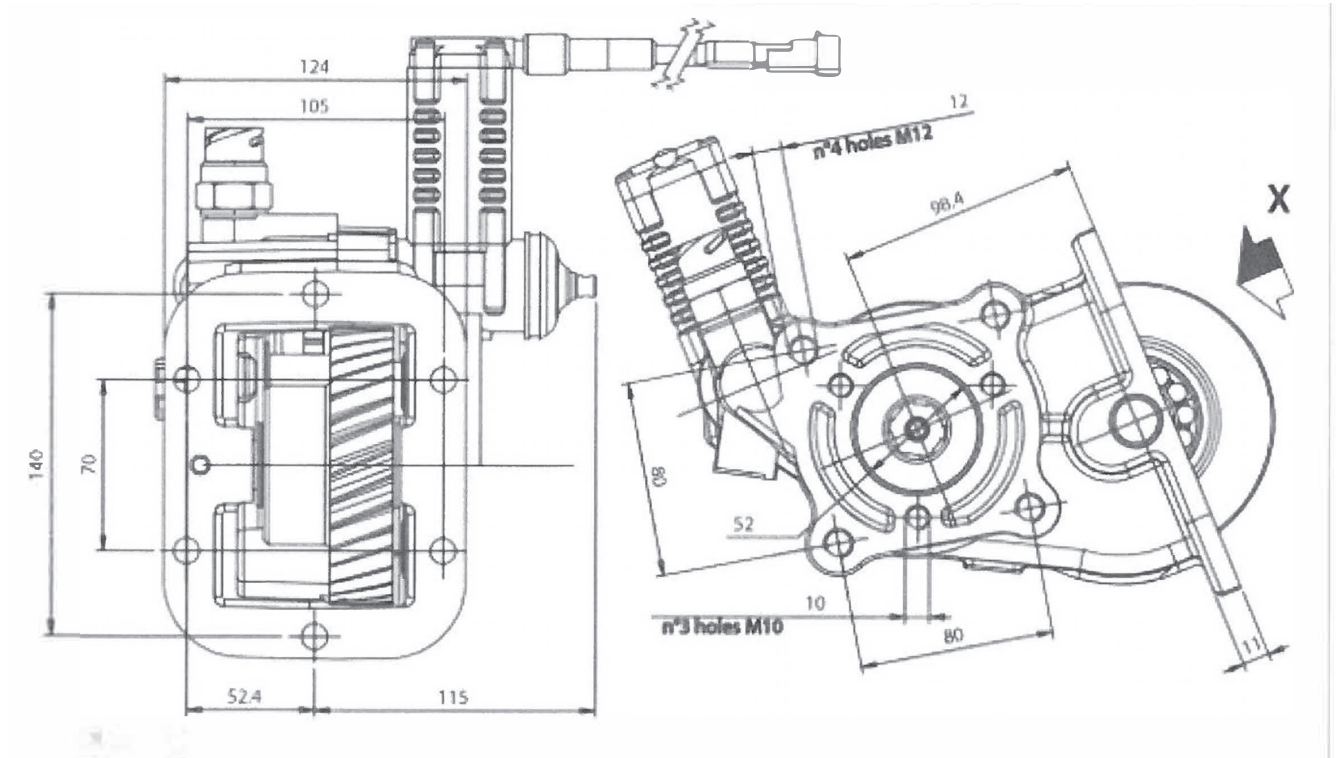
82z1	Description
201	3-HOLE PUMP REAR UNI
204	Pump drive SE 4-Bolts
501	FL SPICER 1120 REAR SIDE
503	FL SPICER 1300 REAR SIDE
511	FL DIN10 REAR SIDE
512	FL DIN00 REAR SIDE

23Z2 - PTO LAT. L. D. Z.F. 6S-380 VO (270127)

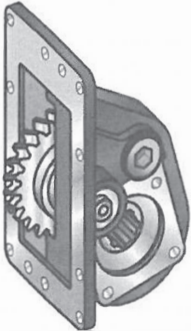
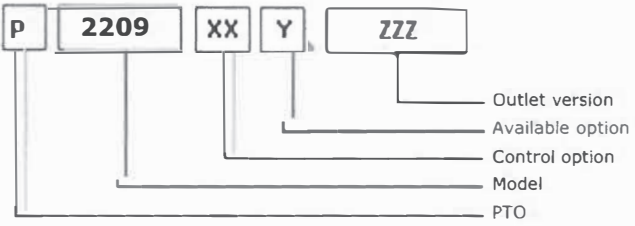
		Conversion kit	
Pneumatic/Mechanic		#DIN 5462 (SE) da UNI	606X01K0000
Mechanic/Pneumatic			
Electric control			
		Flange kit	
82z1	Description		
197KFL01000	SPICER 1120 21UNI222		
197KFL03000	SPICER 1300 21UNI222		
197KFL11000	DIN10 21UNI222		
197KFL12000	DIN00 21UNI222		
		Switch kit	
82z1	Description		
194KSP17000	DIN 2.5 M16x1.5 N.O.		
194KSP28000	#TDS M16x1.5 N.O.		
		Bracket kit	
82z1	Description		
190ST0020T0	Remote control TXZ I20		

MATCHINGS					
Brand	Range	Model	1st Gear ratio	Outlet	Application
IVECO		2840.6	5,40	Left	Z2
Z.F.	ECOLITE	6 AS 380 VO	5,40	Left	Z2
Z.F.	ECOLITE	6 AS 400 VO	5,40	Left	Z2
Z.F.	ECOLITE	6 S 380 VO (SX)	5,40	Left	Z2
Z.F.	ECOLITE	6 S 400 VO	5,40	Left	Z2
Z.F.	ECOLITE	6 S 420 V/0.791	5,78	Left	Z2
Z.F.	ECOLITE	6 S 425 V/0.791	5,78	Left	Z2

23Z2 - PTO LAT. L. D. Z.F. 6S-380 VO (270127)



2209 - PTO LAT M.D. SCANIA GS 760-770 (270750)

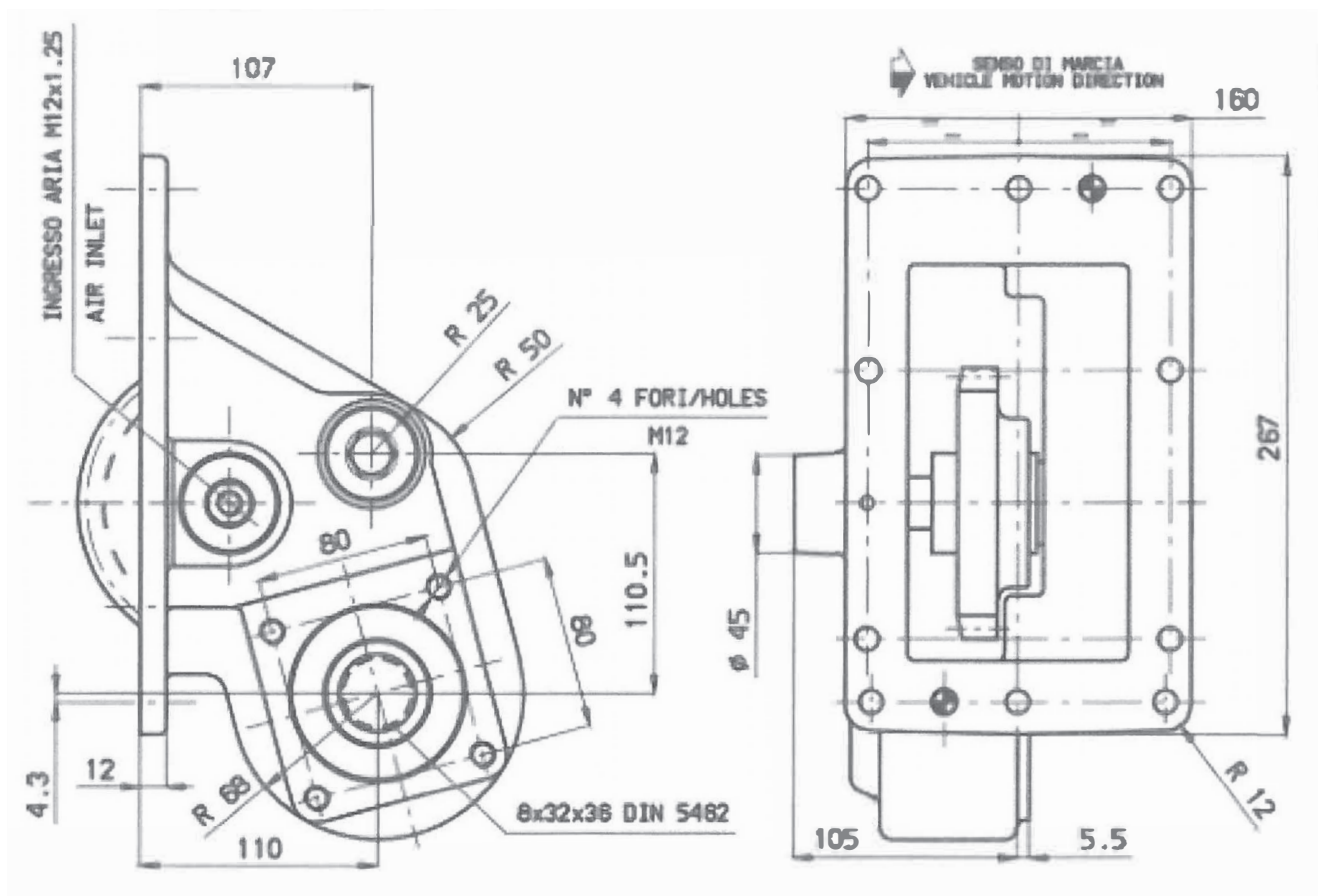
POSSIBLE SOLUTIONS													
													
TEC. SPECIFICATIONS													
	<table border="0"> <tr> <td>Torque (NM)</td> <td>345</td> <td>Replaces</td> <td>2131</td> </tr> <tr> <td>Int. Ratio</td> <td>1,14</td> <td>Replaced by</td> <td>16S1</td> </tr> <tr> <td>Teeth number</td> <td>24</td> <td></td> <td></td> </tr> </table>	Torque (NM)	345	Replaces	2131	Int. Ratio	1,14	Replaced by	16S1	Teeth number	24		
Torque (NM)	345	Replaces	2131										
Int. Ratio	1,14	Replaced by	16S1										
Teeth number	24												
CONTROL TYPE HYDROCAR													
Electric	Hydraulic	Mechanic	Fixed engagement	<input checked="" type="checkbox"/> Pneumatic	Vacuum system								
CONTROL VERSIONS (XX)													
Type	82z1	Description											
P	1	#Comando Standard M12x1.25											
AVAILABLE OPTIONS (Y)													
82z1	Description	Lubr. Kit	Switch Kit	Reinforced									
0	#Non presente				<input checked="" type="checkbox"/>								
OUTLET VERSIONS (ZZZ)													
82z1	Description												
201	3-HOLE PUMP REAR UNI 4												
294	HOLES PUMP SE/R REAR FL												
501	SPICER 1120 REAR SIDE FL												
503	SPICER 1300 REAR SIDE												
511	FL DIN10 REAR SIDE												
512	FL DIN00 REAR SIDE												
740	FL DIN00 REAR SIDE												
741	FL SPICER 1120 REAR SIDE												
742	FL DIN10 REAR SIDE												
743	FL SPICER 1300 REAR SIDE												

2209 - PTO LAT M.D. SCANIA GS 760-770 (270750)

Conversion kit		
Pneumatic/Mechanic	#UNI da DIN 5462 SE/R	606X02R0000
Mechanic/Pneumatic		
Electric control		

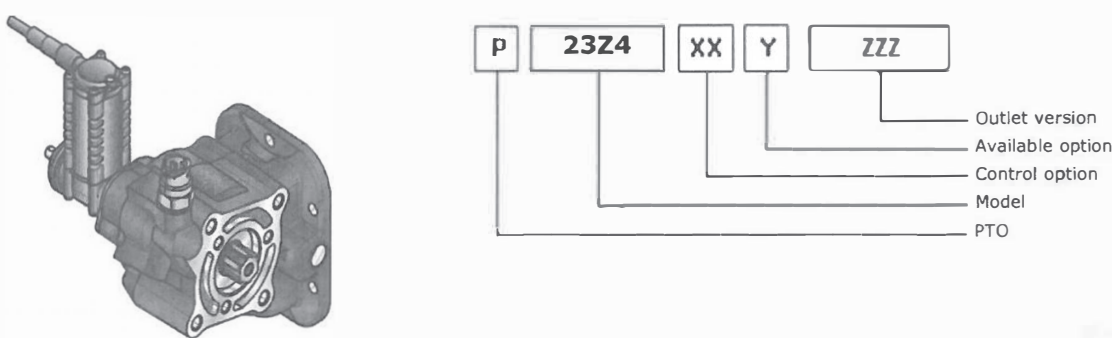
MATCHINGS					
Brand	Range	Model	1st Gear ratio	Outlet	Application
SCANIA		G 750	0,00	Right	S1
SCANIA		G 760	0,00	Right	S1
SCANIA		G 770	0,00	Right	S1
SCANIA		GS 750	0,00	Right	S1
SCANIA		GS 760	0,00	Right	S1
SCANIA		GS 770	0,00	Right	S1
SCANIA		GS 771	0,00	Right	S2

2209 - PTO LAT M.D. SCANIA GS 760-770 (270750)



23Z4 - PTO LAT. L. S. IVECO 2840.6 (270875)

POSSIBLE SOLUTIONS



The diagram illustrates the components of the PTO assembly and the breakdown of the model number 23Z4. The components are: P (PTO), 23Z4 (Model), XX (Control option), Y (Available option), and ZZZ (Outlet version).

TEC. SPECIFICATIONS

Torque (NM)	Outlet 1	180	Replaces
Int. Ratio		1,30	Replaced by
Teeth number		35	

CONTROL TYPE HYDROCAR

<input checked="" type="checkbox"/> Electric	Hydraulic	<input checked="" type="checkbox"/> Mechanic	Fixed engagement	<input checked="" type="checkbox"/> Pneumatic	Vacuum system
--	-----------	--	------------------	---	---------------

CONTROL VERSIONS (XX)

Type	82z1	Description
E	7	#Com. El.KES5E 12V ZAMA
E	9	ECO150 12V.
M	3	#Comando Meccanico per TXZ
P	1	#Comando Pneum. 1/8"GAS

AVAILABLE OPTIONS (Y)

82z1	Description	Lubr. Kit	Switch Kit	Reinforced
1	Inspection plug			
3	With Merit engagement switch + cover		194KSP17000	
4	With TDS engagement switch		194KSP28000	
5	Merit engagement switch whit out cover		194KSP17000	

OUTLET VERSIONS (ZZZ)

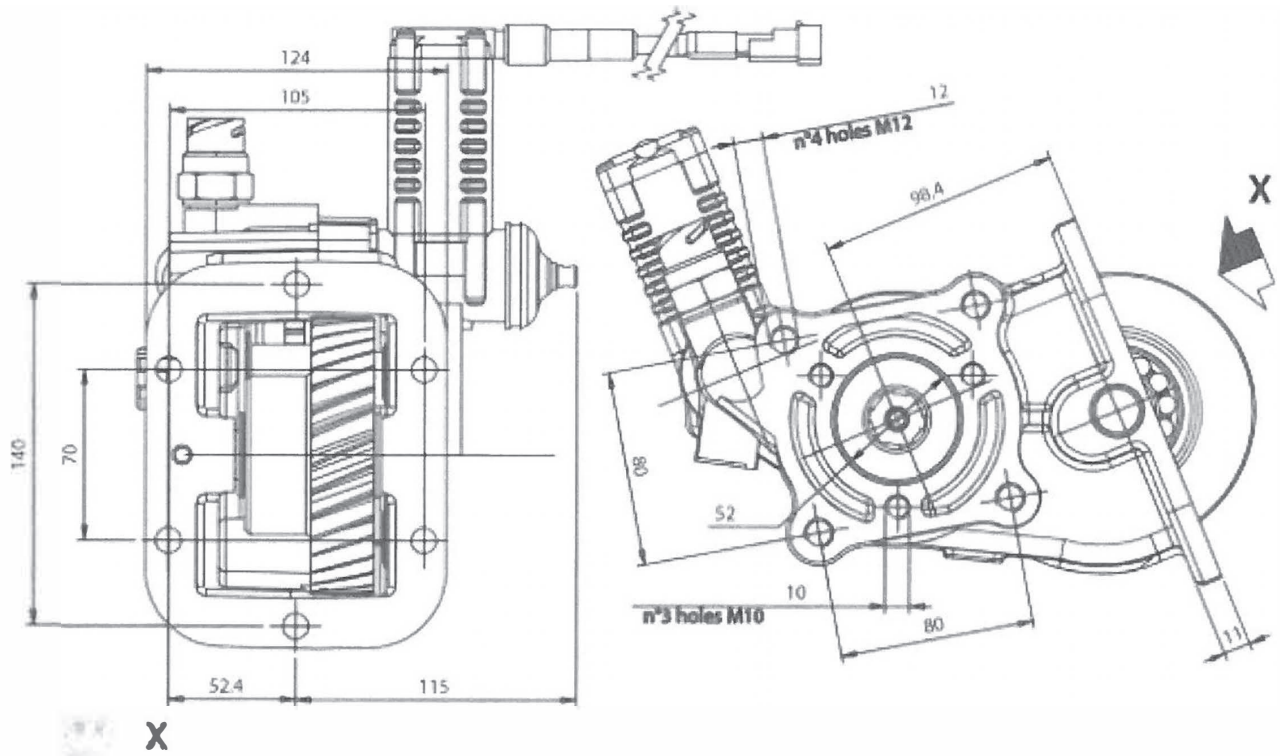
82z1	Description
201	3-HOLE PUMP REAR UNI
204	Pump drive SE 4-Bolts
501	FL SPICER 1120 REAR SIDE
503	FL SPICER 1300 REAR SIDE
511	FL DIN10 REAR SIDE
512	FL DIN00 REAR SIDE

23Z4 - PTO LAT. L. S. IVECO 2840.6 (270875)

Conversion kit	
Pneumatic/Mechanic Mechanic/Pneumatic Electric control	#DIN 5462 (SE) da UNI 606X01K0000
Flange kit	
82z1	Description
197KFL01000	SPICER 1120 21UNI222
197KFL03000	SPICER 1300 21UNI222
197KFL11000	DIN10 21UNI222
197KFL12000	DIN00 21UNI222
Switch kit	
82z1	Description
194KSP17000	DIN 2.5 M16x1.5 N.O.
194KSP28000	#TDS M16x1.5 N.O.
Bracket kit	
82z1	Description
190ST0020T0	Remote control TXZ I20

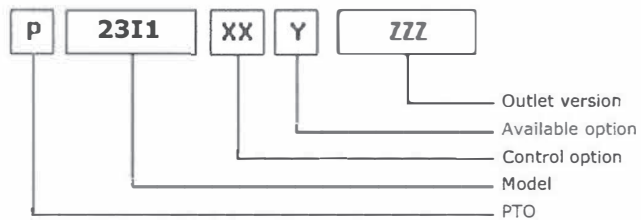
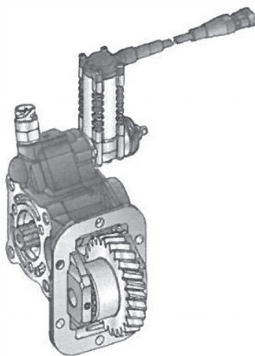
MATCHINGS					
Brand	Range	Model	1st Gear ratio	Outlet	Application
IVECO		2840.6 FL2011	5,40	Left	Z2

23Z4 - PTO LAT. L. S. IVECO 2840.6 (270875)



23I1 - PRESA DI FORZA PER IVECO 2835.6 (270876)

POSSIBLE SOLUTIONS



TEC. SPECIFICATIONS

	Outlet 1	
Torque (NM)	180	Replaces
Int. Ratio	1,68	Replaced by
Teeth number	32	

CONTROL TYPE HYDROCAR

Electric Hydraulic Mechanic Fixed engagement Pneumatic Vacuum system

CONTROL VERSIONS (XX)

Type	82z1	Description
E	7	#Com. El.KES5E 12V ZAMA
E	9	ECO150 12V.
M	3	#Comando Meccanico per TXZ
P	1	#Comando Pneum. 1/8"GAS
H	1	#Comando a depressione

AVAILABLE OPTIONS (Y)

82z1	Description	Switch Kit	Reinforcec
1	#Tappo ispezione		
3	#Con Int. MERIT+cop.protez	194KSP17000	
4	#Con Interruttore TDS	194KSP28000	
5	#Con Int. MERIT senza cop.	194KSP17000	

OUTLET VERSIONS (ZZZ)

82z1	Description
201	3-HOLE PUMP REAR UNI
204	Pump drive SE 4-Bolts
501	FL SPICER 1120 REAR SIDE
503	FL SPICER 1300 REAR SIDE
511	FL DIN10 REAR SIDE
512	FL DIN00 REAR SIDE

2311 - PRESA DI FORZA PER IVECO 2835.6 (270876)

Conversion kit	
Pneumatic/Mechanic Mechanic/Pneumatic Electric control	#DIN 5462 (SE) da UNI 606X01K0000
Flange kit	
82z1	Description
197KFL01000	SPICER 1120 21UNI222
197KFL03000	SPICER 1300 21UNI222
197KFL11000	DIN10 21UNI222
197KFL12000	DIN00 21UNI222
Switch kit	
82z1	Description
194KSP17000	DIN 2.5 M16x1.5 N.O.
194KSP28000	#TDS M16x1.5 N.O.
Bracket kit	
82z1	Description
190ST0020T0	Remote control TXZ I20

MATCHINGS					
Brand	Range	Model	1st Gear ratio	Outlet	Application
IVECO		2835.6	5,00	Left	I1

2311 - PRESA DI FORZA PER IVECO 2835.6 (270876)

